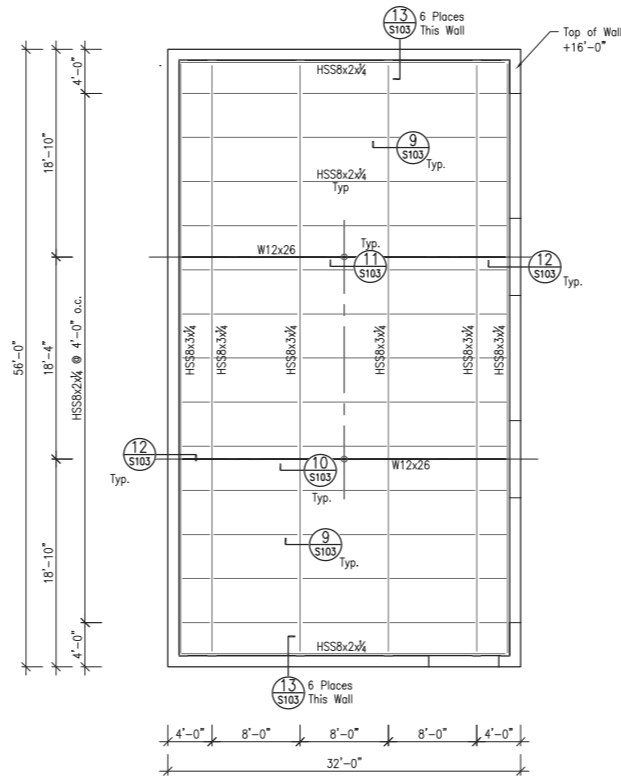
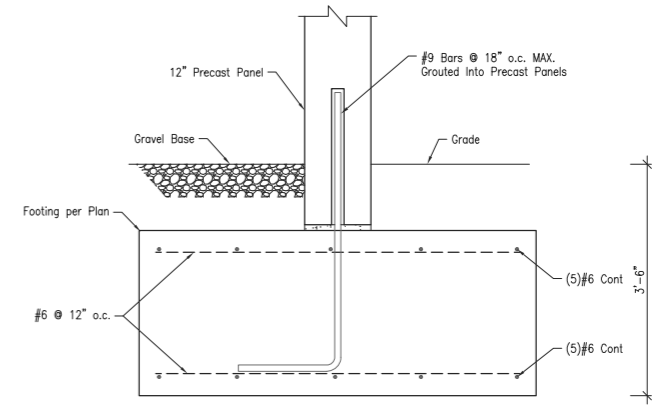


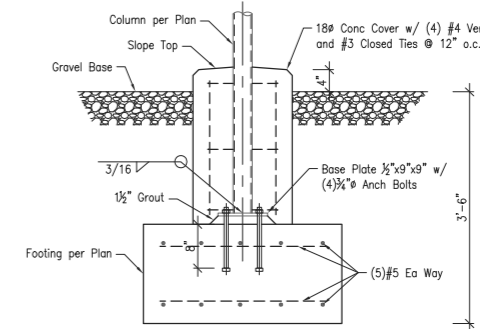
5 Generator Enclosure Foundation Plan
1/8"=1'-0"



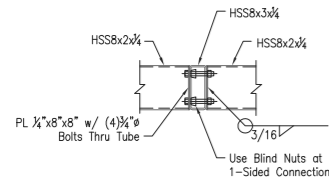
6 Generator Enclosure Roof Plan
1/4"=1'-0"



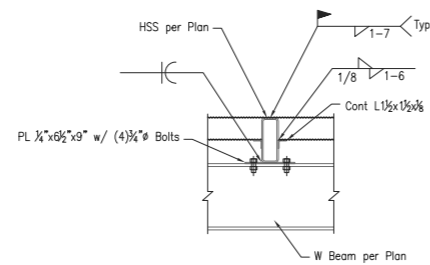
4 Generator Enclosure Footing Detail
3/4"=1'-0"



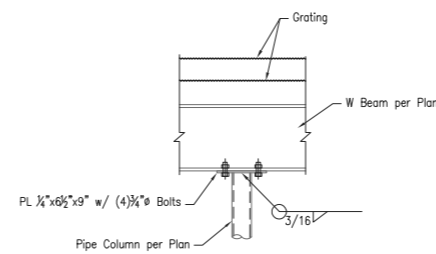
8 Generator Enclosure Column Footing Detail
3/4"=1'-0"



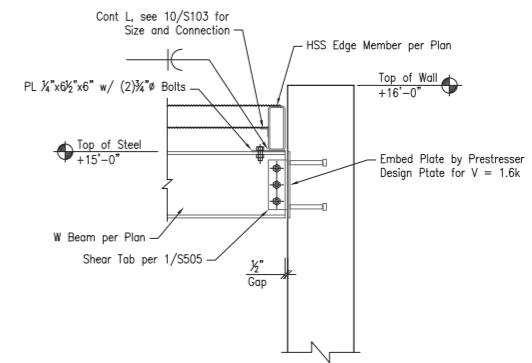
9 HSS to HSS Connection
3/4"=1'-0"



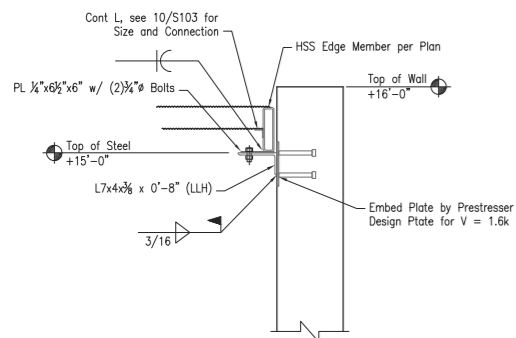
10 HSS to W Connection
3/4"=1'-0"



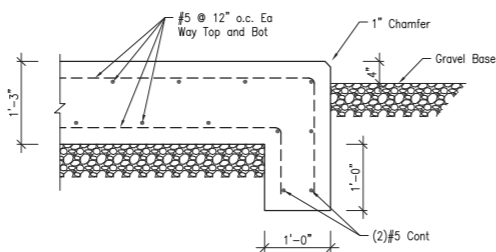
11 W to Column Connection
3/4"=1'-0"



12 W to Wall Connection
3/4"=1'-0"



13 HSS to Wall Connection
3/4"=1'-0"



14 Generator / Fuel Tank Pad
3/4"=1'-0"



Architects and Planners
I.S.K. Reeves V, F.A.I.A.
Ian A. Reeves, A.I.A.
Kevin Raligan, A.I.A.

333 N. Knowles Ave.
Winter Park, Florida 32789
(407) 647-1706

Corporate Registration
No. 2010003481

In Association With:

P W ARCHITECTS, INC

ERIC MILLER AIA, CDT

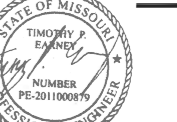
15 South Tenth Street
Columbia, Missouri 65201
(573) 449-2683

THHinc
Consulting Engineers

TRABUE, HANSEN & HINSHAW, INC.

1901 Pennsylvania Dr.
Columbia, MO 65202
Phone (573) 814-1568
Fax (573) 814-1564

Professional Engineer



7/20/14

Timothy P. Earney MO PE-2011000879

BOONE COUNTY

MISSOURI

911/JOINT COMMUNICATIONS

FACILITY / EOC

BOONE, MO

100% CONSTRUCTION

DOCUMENTS: PERMIT SET

Architect hereby expressly reserves his common law copyright and other property rights in these drawings. These drawings shall not be reproduced without written permission and consent of the architect, nor are they to be assigned to any party without first obtaining written permission and consent.

revisions/addenda

Number	Description	Date Issued

sheet title

GENERATOR

ENCLOSURE PLANS

AND DETAILS

scale: AS NOTED

drawn: MLF

checked: TPE

approved:

date: 10.20.2014

project no.

916.13

sheet

S103